

GROVE

MOTORVORWAERMUNG OW
PREHEATING ENGINE SUPERSTRUCTURE

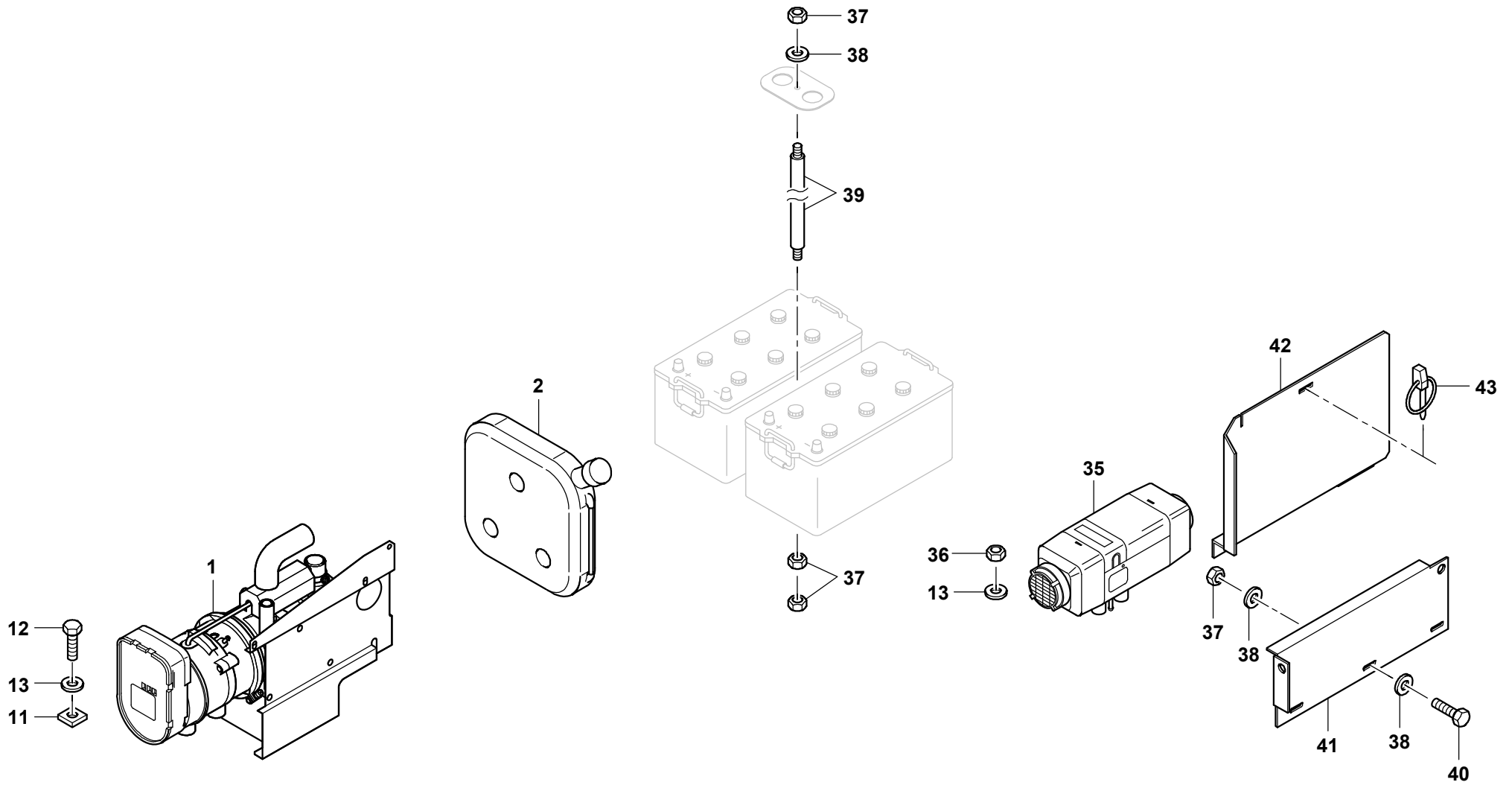
BILDTAFEL
PICTORIAL DISPLAY

04.14

3150715-ETL D

1/2

GMK 4100
BE 780
G 000



GROVE

MOTORVORWAERMUNG OW
 PREHEATING ENGINE SUPERSTRUCTURE

BILDТАFЕL
 PICTORIAL DISPLAY

04.14

3150715-ETL D

2/2

GMK 4100
BE 780
G 000

